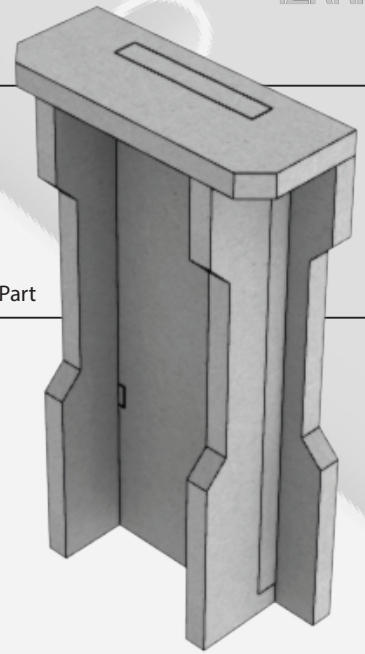


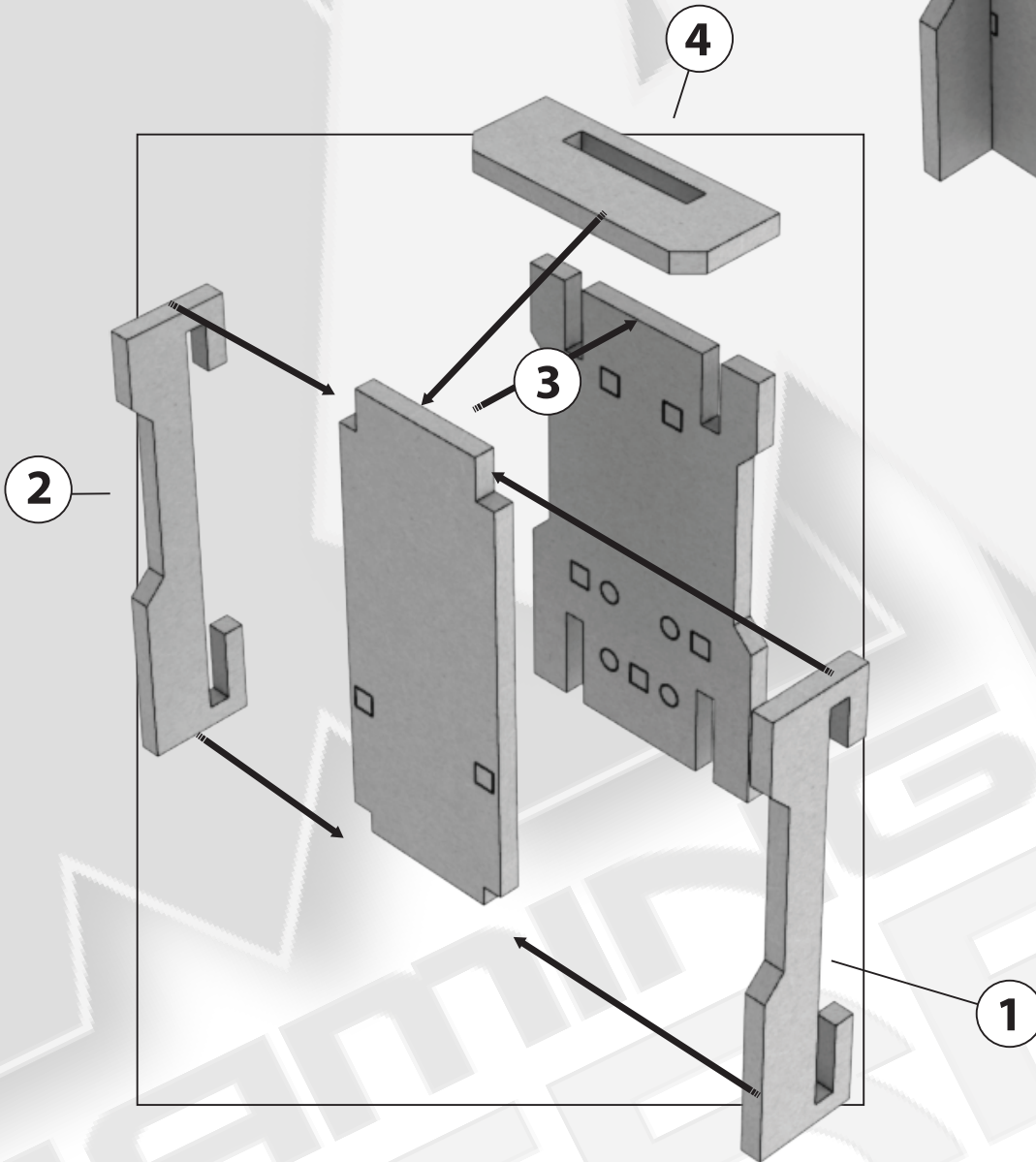
The Complex - Large End Cap

Assembly Instructions



Finished Part

Assembly starts at step 1 and ends at step 4



Designed & produced by

Careful, this pack may contain fragile parts

